

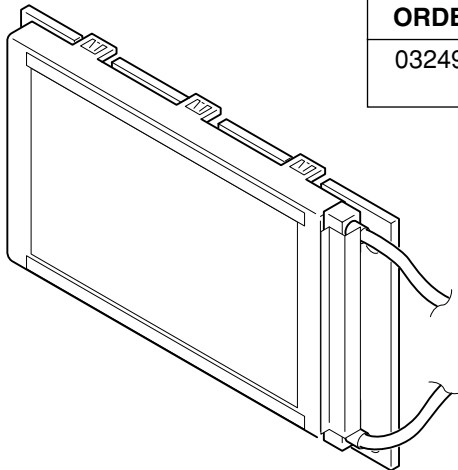
• ASSEMBLED UNIT PARTS INFORMATION

NOTE: This information covers listed version only. See the version table below.

VERSION NO.	VERSION	SYMBOL	VERSION NO.	VERSION	SYMBOL
#02	U.S.A.	USA	#08	Italy	ITA
#03	Europe	EUR	#09	Spain	ESP
#04	France	FRA	#10	Korea	KOR

1) DISPLAY board

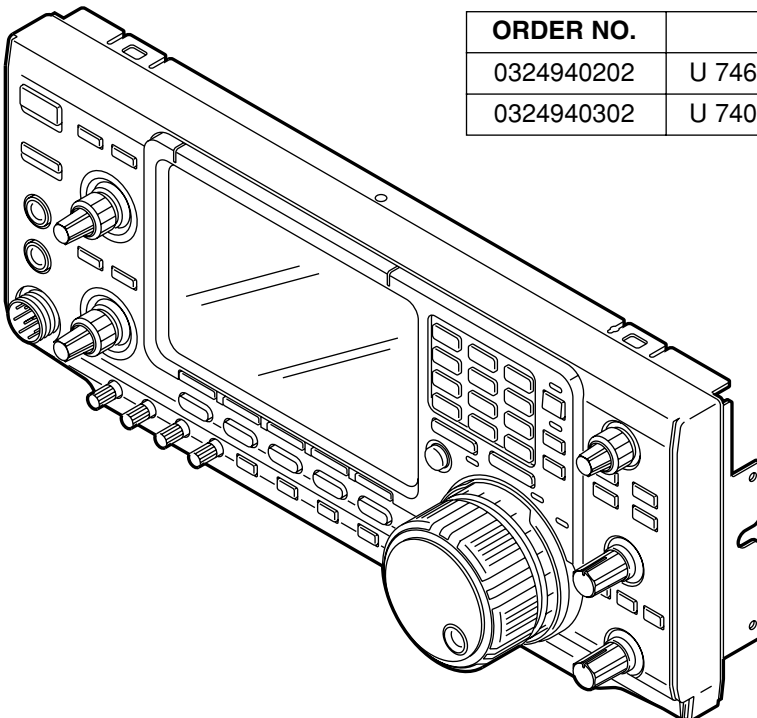
NOTE: This board includes the LCD.



ORDER NO.	PART NAME
0324940301	U 7400 #03 DISPLAY [USA], [EUR], [FRA], [ITA], [ESP], [KOR]

2) FRONT unit

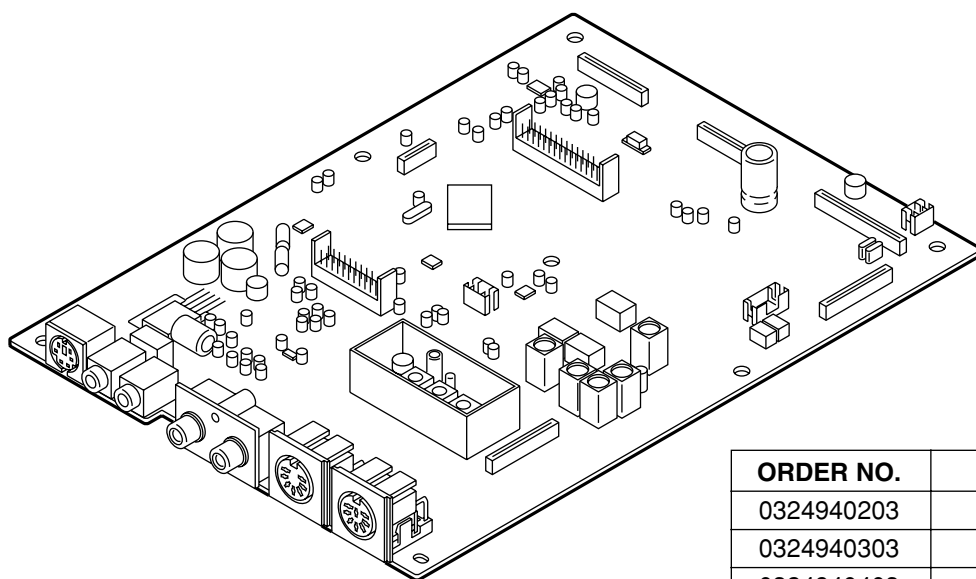
NOTE: This unit includes the front chassis, front panel, main dial, all knobs and S-LOGIC, DISPLAY, PHONE, MIC, MODE, RIT, TEN-KEY, PBT boards.



ORDER NO.	PART NAME
0324940202	U 746PRO #02 FRONT [USA]
0324940302	U 7400 #03 FRONT [EUR], [FRA], [ITA], [ESP], [KOR]

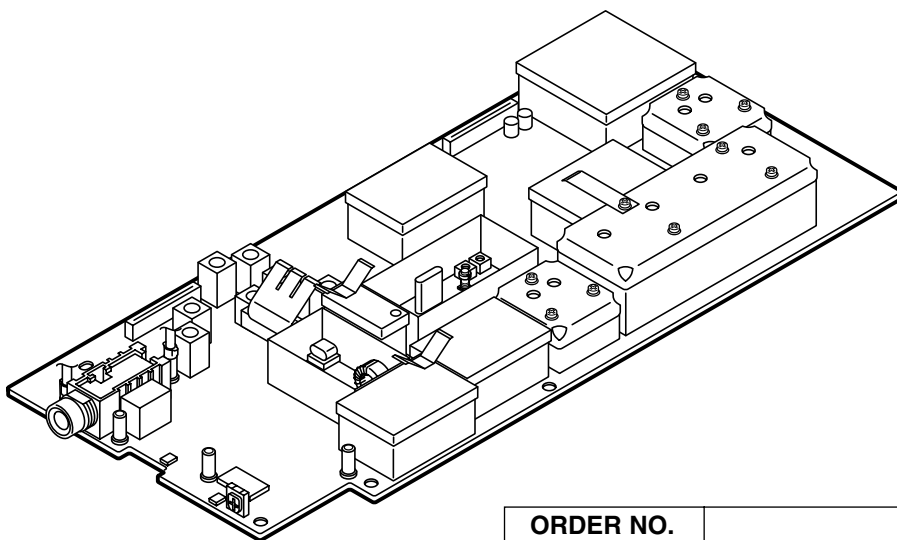
3) MAIN unit

NOTE: This unit does not include the DSP unit.



ORDER NO.	PART NAME
0324940203	U 746PRO #02 MAIN [USA]
0324940303	U 7400 #03 MAIN [EUR]
0324940403	U 7400 #04 MAIN [FRA]
0324940803	U 7400 #08 MAIN [ITA]
0324940903	U 7400 #09 MAIN [ESP]
0324941003	U 7400 #10 MAIN [KOR]

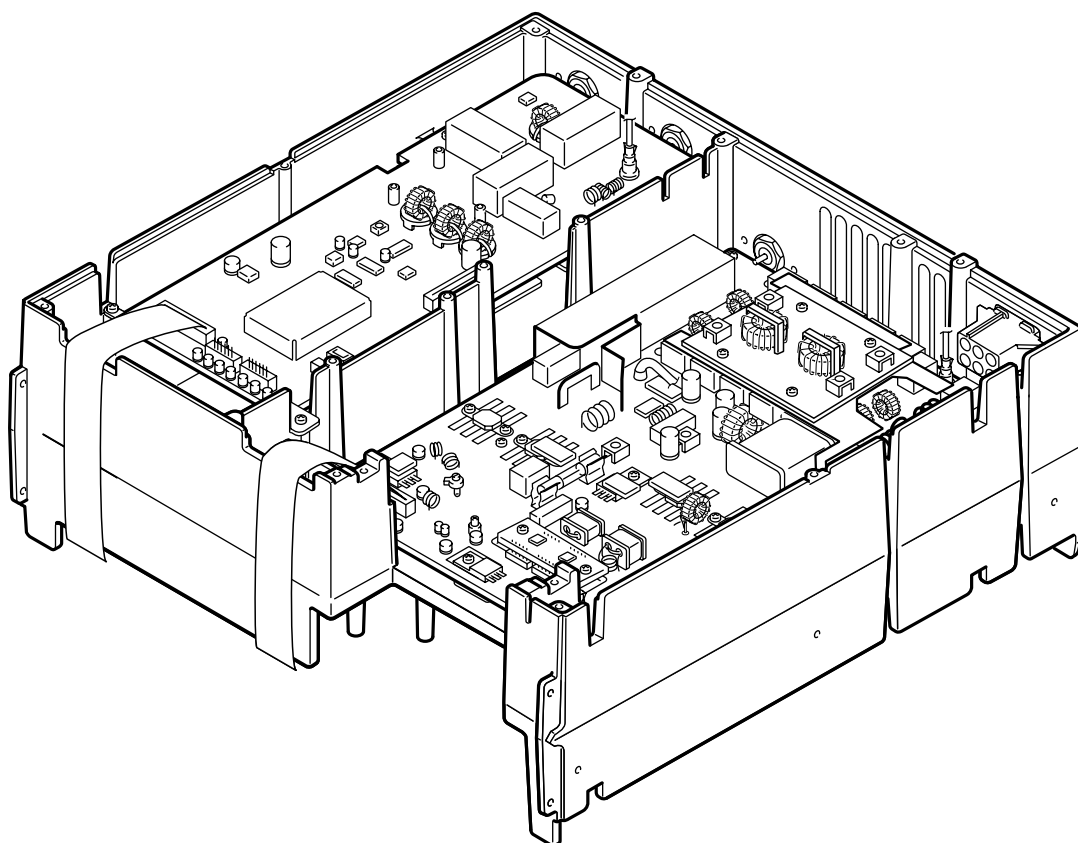
4) RF unit



ORDER NO.	PART NAME
0324940304	U 7400 #03 RF [USA], [EUR], [FRA], [ITA], [ESP], [KOR]

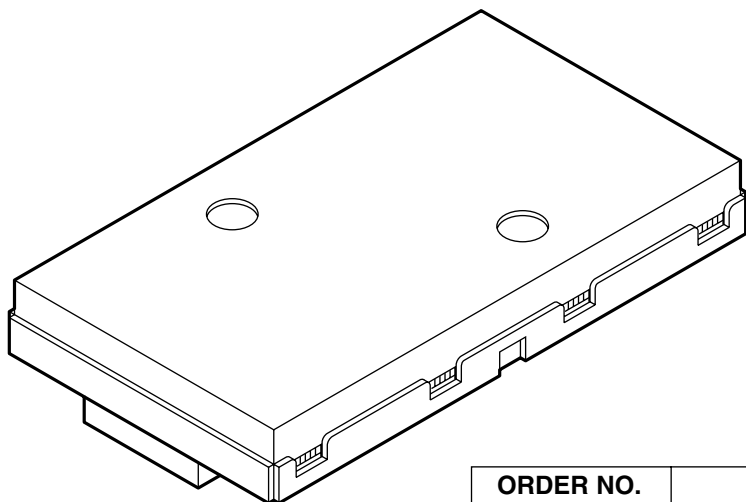
5) PA, TUNER, FILTER and CTRL units

NOTE: This unit includes the PA, TUNER, FILTER, CTRL units, DRV, VARISTOR-A/B/C/D boards and chassis.



ORDER NO.	PART NAME
0324940305	U 7400 #03 PA_FIL [USA], [EUR], [FRA], [ITA], [ESP], [KOR]

6) DSP unit



ORDER NO.	PART NAME
0880000890	EX-2432 #01 [USA], [EUR], [FRA], [ITA], [ESP], [KOR]